

Service
Service
Service



Philips Consumer Lifestyle

Service Manual

PRODUCT INFORMATION

General:

- Rechargeable Total Body Trimmer

Safety information:

- This product meets the requirements regarding interference suppression on radio and TV.
- After the product has been repaired, it should function properly and has to meet the safety requirements as officially laid down at this moment.

TECHNICAL INFORMATION

- Power system : rechargeable

Rechargeable:

- Batteries : 2 x AAA NiMH
- Charging time : 8 hours
- Capacity : 50 minutes

Mains:

- Voltage : 220 - 240 V / 50 - 60 Hz

DISASSEMBLY- AND RE-ASSEMBLY ADVICE

- No specific issues

REPAIR INSTRUCTION

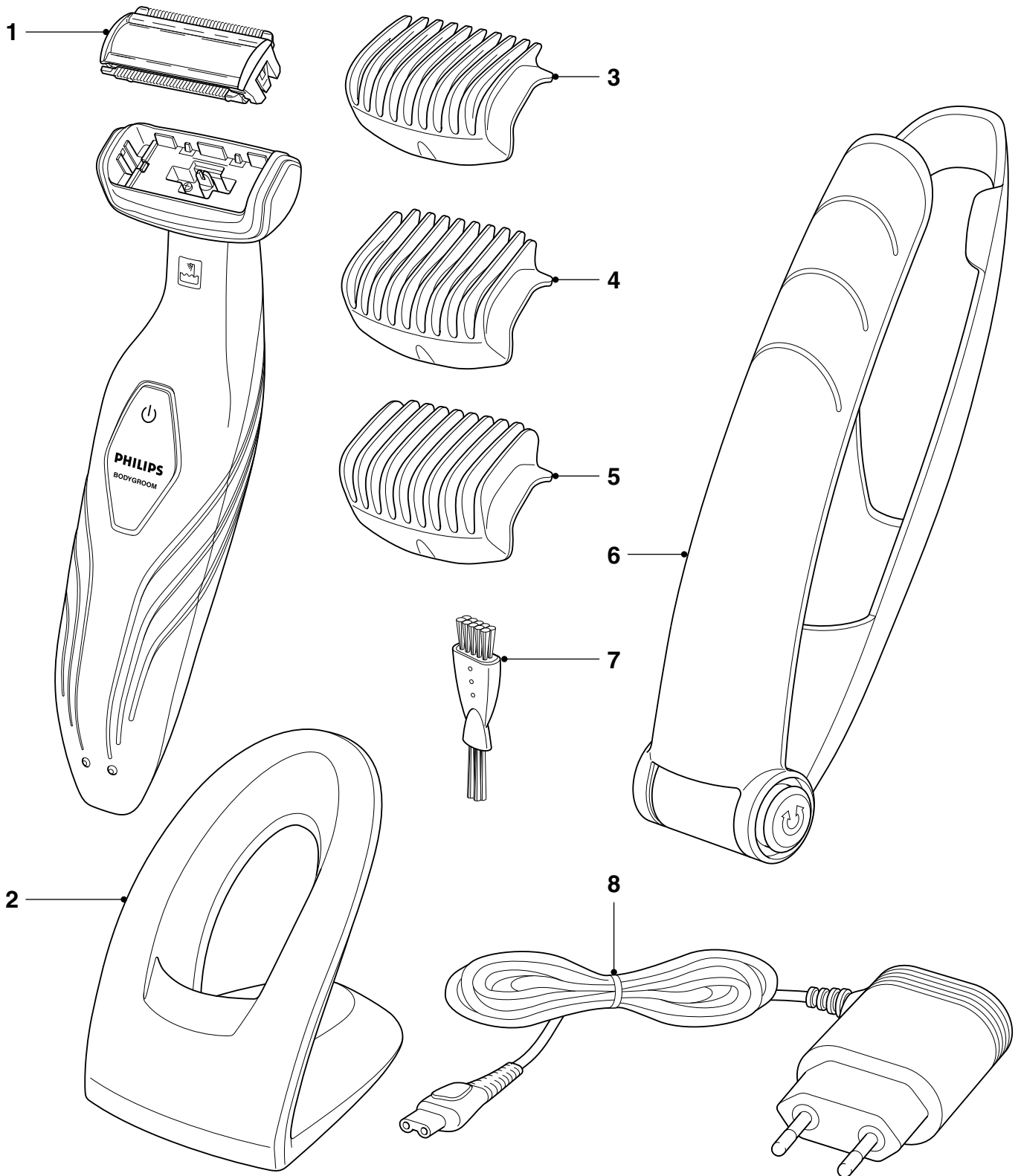
- No specific issues

OPTIONAL (accessories)

- See Parts List

EXPLODED VIEW & PARTS LIST

BG2026



Pos	Service code	Description
1	4203 035 51110	Shaving unit
2	4222 036 20351	Stand
3	4222 036 20321	Comb 3 mm
4	4222 036 20331	Comb 5 mm
5	4222 036 20341	Comb 7 mm

Pos	Service code	Description
6*	4222 036 20361	Attachment
7	4222 036 02770	Brush
8	4222 036 20821	Power plug EU
	4222 036 20881	Power plug US
	4222 036 20871	Power plug AU/NZ

* Optional